

**NOTE:**

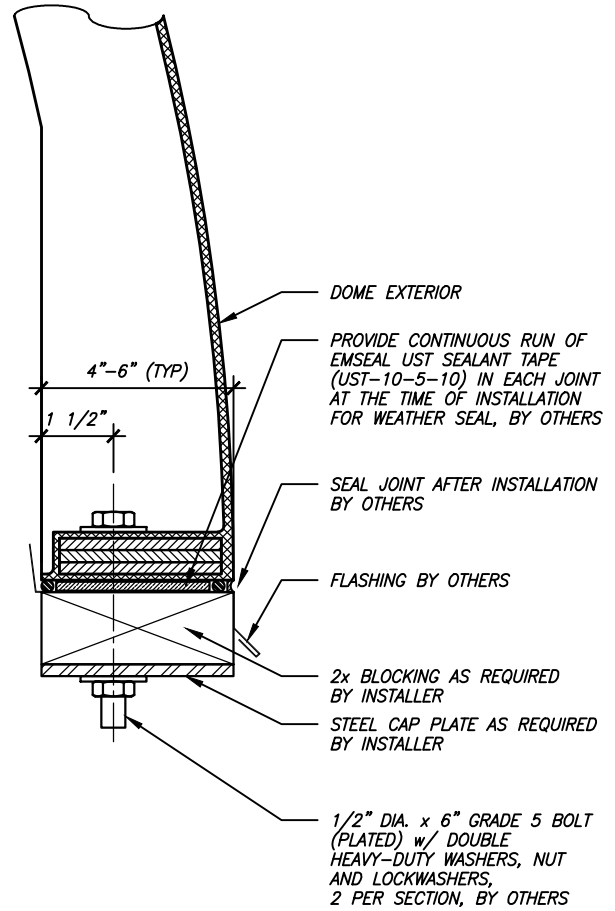
1. FIBERGLASS PRODUCTS ARE INTENDED TO BE INSTALLED ON FINISHED WATERTIGHT ROOF STRUCTURES AND ARE GENERALLY NOT OPEN TO THE BUILDING BELOW. FIBERGLASS PRODUCTS ARE DESIGNED TO SHED WATER BUT ARE NOT FACTORY INSULATED. FIBERGLASS PRODUCTS THAT ARE NOT INSULATED COULD CAUSE CONDENSATION INSIDE THE STRUCTURE. DECORATIVE FEATURES SUCH AS VENTS AND LOUVERS CAN ALSO ALLOW MOISTURE TO ENTER THE STRUCTURE. ARCHITECTURAL FIBERGLASS, INC. (AFI) RECOMMENDS ROOFING OR WATERPROOFING UNDER THE FIBERGLASS STRUCTURE AND SEALING AROUND ALL ANCHOR BOLTS. FIELD APPLIED INSULATION AND FLASHING BY OTHERS CAN REDUCE CONDENSATION AND SEAL THE STRUCTURE AGAINST MOISTURE.

WATERTIGHTNESS IS A FUNCTION OF THE INSTALLATION AND THE SUBSTRATE TO WHICH THE FIBERGLASS MATERIAL IS BEING ATTACHED. FURNISHED FIBERGLASS ELEMENTS ARE STRICTLY FOR ORNAMENTAL PURPOSES AND THE SELLER IS NOT RESPONSIBLE FOR ANY OTHER INTENDED USE. AFI DOES NOT WARRANT WATERTIGHT FACTORY-ASSEMBLED OR FIELD-ASSEMBLED JOINTS. FACTORY-ASSEMBLED JOINTS HAVE THE POTENTIAL TO SEPARATE DURING SHIPPING AND INSTALLATION. AFI RECOMMENDS FINAL SEALANT APPLICATION AFTER ELEMENTS ARE INSTALLED, IN ADDITION TO A CONTINUOUS RUN AT EACH JOINT OF EMSEAL UST SEALANT TAPE (ITEM UST-10-5-10; 1-800-837-3331) BY EMSEAL JOINT SYSTEMS, LTD (WWW.EMSEAL.COM). REFERENCE DETAIL A/SD-1.

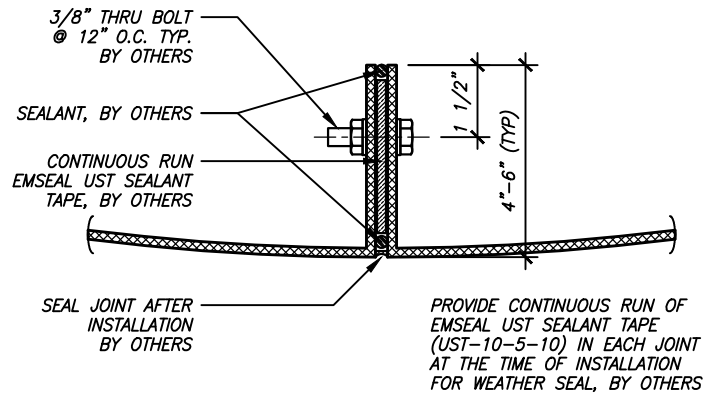
2. CONTRACTOR IS RESPONSIBLE FOR ANY ENGINEERING REQUIREMENTS ASSOCIATED WITH THE STRUCTURE TO WHICH FIBERGLASS ELEMENTS ARE ATTACHED, AND WIND LOAD FORCES IMPOSED BY THE FIBERGLASS STRUCTURE.

3. LIGHTNING PROTECTION IS NOT INCLUDED UNLESS NOTED ON THE SHOP DRAWINGS. LIGHTNING PROTECTION IS RECOMMENDED AND CAN BE INCORPORATED UPON REQUEST. A LICENSED CONTRACTOR WILL NEED TO FIELD GROUND ANY LIGHTNING PROTECTION PROVIDED WITH THE FIBERGLASS ELEMENTS.

4. APPROVAL OF DRAWING IMPLIES THAT THE CONTRACTOR HAS VERIFIED ALL FIELD MEASUREMENTS PRIOR TO MANUFACTURE.



**TYPICAL DOME ATTACHMENT**



**TYPICAL DOME JOINT DETAIL**

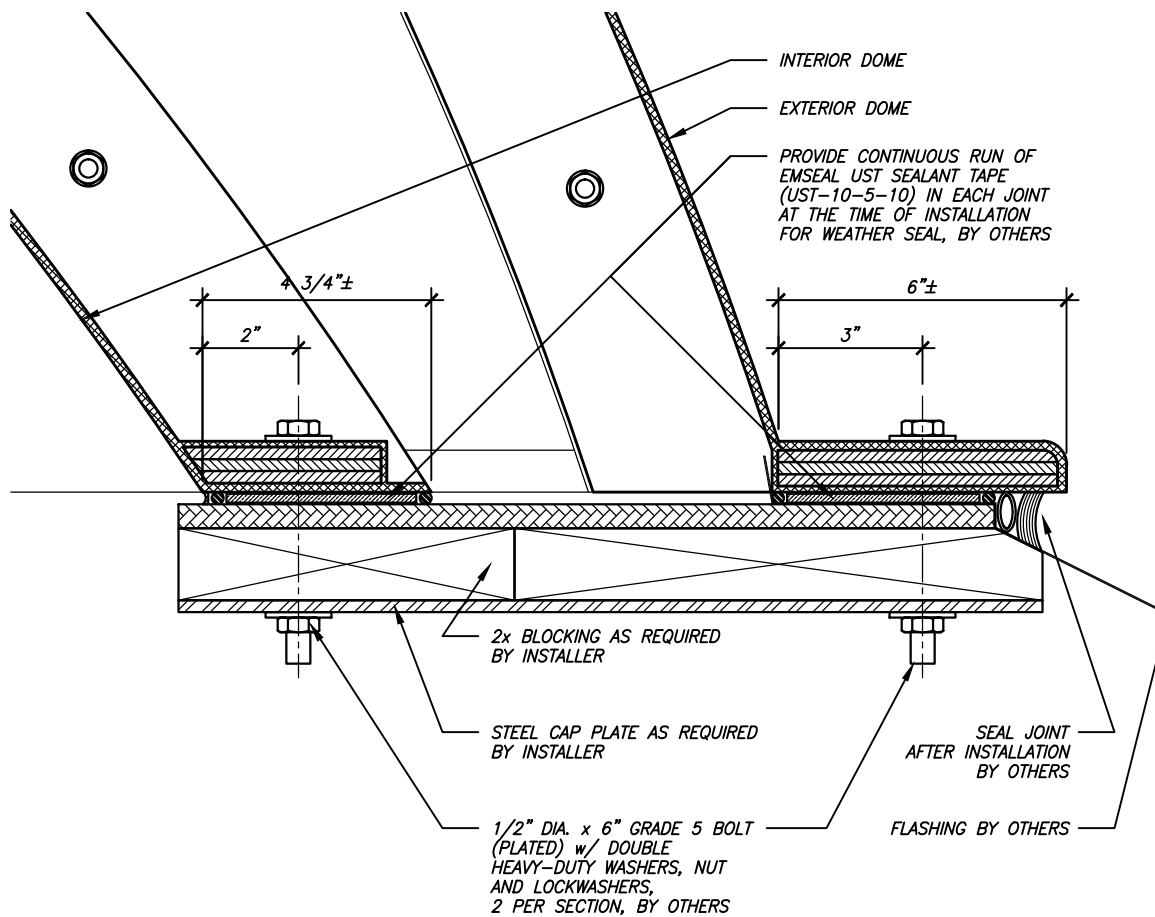
DOMES  
SHEET NO.  
**SD-1**  
2013

ATTACHMENT  
DETAILS



**ARCHITECTURAL FIBERGLASS, INC.**

8300 BESSEMER AVE., CLEVELAND, OHIO 44127-1839  
(216) 641-8300 - FAX:(216) 641-8150  
www.fiberglass-afi.com



**TYPICAL DOME ATTACHMENT  
WITH INTERIOR AND EXTERIOR DOMES**

DOMES

SHEET NO.

**SD-2**

2013

ATTACHMENT  
DETAILS



**ARCHITECTURAL FIBERGLASS, INC.**

8300 BESSEMER AVE., CLEVELAND, OHIO 44127-1839  
(216) 641-8300 - FAX:(216) 641-8150  
www.fiberglass-afi.com